

Special Clamps

U-shaped bolt with threaded ends

Material specifications	
Material	Carbon Steel
Coatings	Galvanised Hot dipped galvanized*, Powder coated*

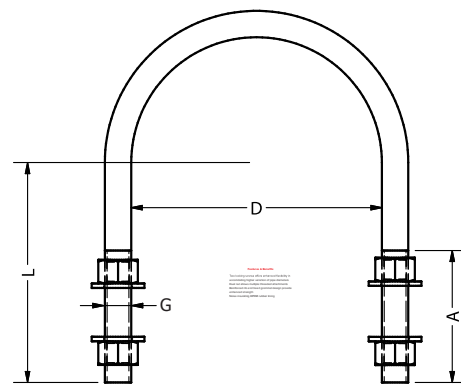


Applications

- Flexible and adjustable installation of heavy duty industrial and commercial pipes

Features & Benefits

- Complies with Manufacturer's Standardization Society - MSS-SP-58 and MSS-SP-69 (Type 24)
- Approved by Underwriters Laboratories (UL)
- One piece design enable high load carrying capacity
- Supplied together with two/four nuts and two washers
- Minimal contact surface between U-bolt and pipe



Select Variant

Article No.	Product Description	Pipe Size		G	L	A	D	Max. Reco. Static Load (Frec)	Pack Size
		(inch)	(mm)						
616300	FX U-Bolt, M10, 1/2", MSS SP-58 & SP-69 (Type 24), UL	1/2"	15	M10	59	50	22.2	4850	200
616310	FX U-Bolt, M10, 3/4", MSS SP-58 & SP-69 (Type 24), UL	3/4"	20	M10	68	50	28.0	4850	150
616320	FX U-Bolt, M10, 1", MSS SP-58 & SP-69 (Type 24), UL	1"	25	M10	73	50	34.9	4850	150
616330	FX U-Bolt, M10, 1 1/4", MSS SP-58 & SP-69 (Type 24), UL	1 1/4"	32	M10	73	64	43.6	4850	200
616340	FX U-Bolt, M10, 1 1/2", MSS SP-58 & SP-69 (Type 24), UL	1 1/2"	40	M10	76	64	49.5	4850	200
616350	FX U-Bolt, M10, 2", MSS SP-58 & SP-69 (Type 24), UL	2"	50	M10	83	64	61.9	4850	120
616360	FX U-Bolt, M10, 2 1/2", MSS SP-58 & SP-69 (Type 24), UL	2 1/2"	65	M10	78	51	77.7	4850	70
616370	FX U-Bolt, M10, 3", MSS SP-58 & SP-69 (Type 24), UL	3"	80	M10	86	51	90.5	4850	50
616373	FX U-Bolt, M12, 3", MSS SP-58 & SP-69 (Type 24), UL	3"	80	M12	102	76	90.5	8980	45
616380	FX U-Bolt, M10, 4", MSS SP-58 & SP-69 (Type 24), UL	4"	100	M10	98	51	115.9	4850	15
616383	FX U-Bolt, M12, 4", MSS SP-58 & SP-69 (Type 24), UL	4"	100	M12	114	76	115.9	8980	10
616390	FX U-Bolt, M10, 5", MSS SP-58 & SP-69 (Type 24), UL	5"	125	M10	116	57	142.9	4850	10
616393	FX U-Bolt, M12, 5", MSS SP-58 & SP-69 (Type 24), UL	5"	125	M12	127	76	142.9	8980	1
616400	FX U-Bolt, M12, 6", MSS SP-58 & SP-69 (Type 24), UL	6"	150	M12	129	57	171.5	8980	1
616403	FX U-Bolt, M16, 6", MSS SP-58 & SP-69 (Type 24), UL	6"	150	M16	156	85	171.5	14370	1
616410	FX U-Bolt, M12, 8", MSS SP-58 & SP-69 (Type 24), UL	8"	200	M12	154	57	222.3	8980	1
616413	FX U-Bolt, M16, 8", MSS SP-58 & SP-69 (Type 24), UL	8"	200	M16	181	85	222.3	14370	1
616420	FX U-Bolt, M12, 10", MSS SP-58 & SP-69 (Type 24), UL	10"	250	M12	192	64	276.2	8980	1
616423	FX U-Bolt, M16, 10", MSS SP-58 & SP-69 (Type 24), UL	10"	250	M16	184	64	276.2	14370	1
616426	FX U-Bolt, M20, 10", MSS SP-58 & SP-69 (Type 24), UL	10"	250	M20	213	102	276.2	21490	1
616430	FX U-Bolt, M20, 12", MSS SP-58 & SP-69 (Type 24), UL	12"	300	M20	216	70	327	21490	1
616433	FX U-Bolt, M22, 12", MSS SP-58 & SP-69 (Type 24), UL	12"	300	M22	244	102	327	29940	1

*Available on request