

Fasteners

Through Bolt Anchor for non cracked concrete

Material specifications

Coatings Galvanized,
Hot-Dip Galvanized*

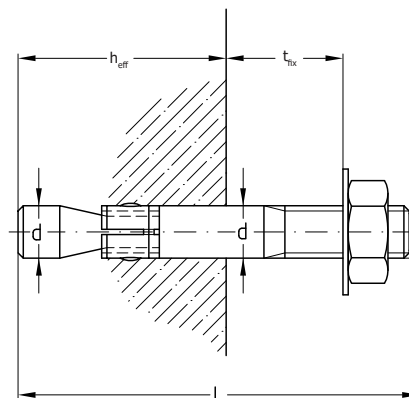


Applications

- Anchorage of medium weight pipeline, ventilation ducts & sprinkler systems

Features & Benefits

- European Technical Approval for non-cracked concrete (Option 7)
- Suitable for push through and stand-off installation
- Quick and easy installation



Select Variant

Article No.	Product Description	Overall Length (mm)	Drill Hole Dia (d) (mm)	Drilling depth (mm)	Usable length (t _{fix}) (mm)	Effective anchorage depth h _{eff} (mm)	Pack Size (Nos)	Approved tensile load* (kN)	Approved shear load* (kN)	Installation torque (Nm)	Wrench Size (Nm)
Galvanized (vz)											
3200805	FX Throughbolt, M8/50/5, vz	50	8	45	5	27	100	5.7	6.1	15	13
3200806	FX Throughbolt, M8/60/10, vz	60	8	50	10	30	100	5.7	6.1	15	13
3200808	FX Throughbolt, M8/80/10, vz	80	8	65	10	50	100	5.7	6.1	15	13
3200809	FX Throughbolt, M8/95/25, vz	85	8	65	15	50	100	5.7	6.1	15	13
3200811	FX Throughbolt, M8/115/45, vz	95	8	65	25	50	100	5.7	6.1	15	13
3200816	FX Throughbolt, M8/165/95, vz	115	8	65	45	50	100	5.7	6.1	15	13
3200885	FX Throughbolt, M8/85/15, vz	165	8	65	95	50	50	5.7	6.1	15	13
3201006	FX Throughbolt, M10/60/5, vz	60	10	55	5	33	100	7.6	10.1	30	17
3201007	FX Throughbolt, M10/70/10, vz	70	10	60	10	35	100	7.6	10.1	30	17
3201009	FX Throughbolt, M10/95/15, vz	95	10	80	15	58	100	7.6	10.1	30	17
3201011	FX Throughbolt, M10/110/30, vz	110	10	80	30	58	50	7.6	10.1	30	17
3201012	FX Throughbolt, M10/125/45, vz	125	10	80	45	58	50	7.6	10.1	30	17
3201014	FX Throughbolt, M10/140/60, vz	140	10	80	60	58	50	7.6	10.1	30	17
3201016	FX Throughbolt, M10/160/80, vz	160	10	80	80	58	50	7.6	10.1	30	17
3201018	FX Throughbolt, M10/180/100, vz	180	10	80	100	58	25	7.6	10.1	30	17
3201208	FX Throughbolt, M12/80/5, vz	80	12	70	5	49	50	9.5	13.7	50	19
3201211	FX Throughbolt, M12/110/15, vz	110	12	90	15	68	50	9.5	13.7	50	19
3201212	FX Throughbolt, M12/125/30, vz	125	12	90	30	68	50	9.5	13.7	50	19
3201214	FX Throughbolt, M12/145/50, vz	145	12	90	50	68	25	9.5	13.7	50	19
3201216	FX Throughbolt, M12/165/70, vz	165	12	90	70	68	50	9.5	13.7	50	19
3201218	FX Throughbolt M12/185/90, vz	185	12	90	90	68	50	9.5	13.7	50	19
3201609	FX Throughbolt, M16/90/5, vz	90	16	80	5	50	25	11.9	15.7	100	24
3201611	FX Throughbolt, M16/115/10, vz	115	16	100	10	70	25	11.9	15.7	100	24
3201613	FX Throughbolt, M16/130/15, vz	130	16	110	15	80	25	11.9	15.7	100	24
3201614	FX Throughbolt, M16/145/30, vz	145	16	110	30	80	25	11.9	15.7	100	24
3201616	FX Throughbolt, M16/160/45, vz	160	16	110	45	80	25	11.9	15.7	100	24
3201618	FX Throughbolt, M16/180/65, vz	180	16	110	65	80	25	11.9	15.7	100	24

*Available on request

**The admissible loads apply for single anchors in concrete strength class \geq C20/25 (B25 for axially applied tension and shear without the influence of axial and edge spacings. The safety coefficient according to ETA is included.