

Special Clamps

Pipe Attachment consisting of a formed steel Strap and a knurled swivel nut

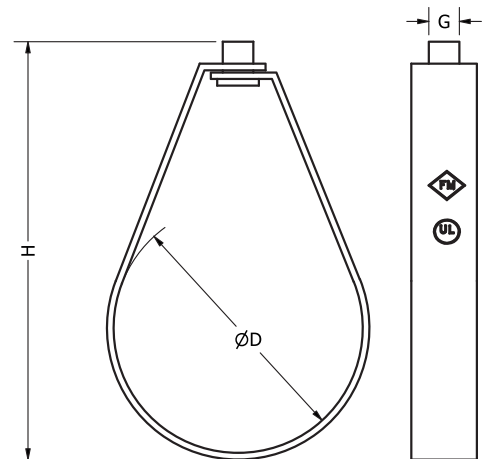
Material specifications	
Material	Carbon Steel
Coatings	Galvanised Hot dipped galvanized*, Powder coated*

Applications

- Installation of suspended firefighting sprinkler pipes

Features & Benefits

- Easy to install without any tools
- Approved by Factory Mutual (FM) and Underwriters Laboratories (UL)
- Complies with Manufacturer's Standardization Society - MSS-SP-58 and MSS-SP-69 (Type 10)
- Knurled swivel nut allows vertical pipe alignment during and after installation
- Can be provided with noise insulating high quality EPDM lining



Select Variant

Article No.	Product Description	Pipe Size		G	H	Max. Reco. Static Load (Frec)	Pack Size
		(inch)	(mm)				
618006	FX Swivel Hanger, M10, 1/2", MSS SP-58 & SP-69(Type 10), UL	1/2"	15	M10	70	1334	300
618012	FX Swivel Hanger, M10, 3/4", MSS SP-58 & SP-69(Type 10), FM, UL	3/4"	20	M10	78	1334	300
618018	FX Swivel Hanger, M10, 1", MSS SP-58 & SP-69(Type 10), FM, UL	1"	25	M10	84	1334	250
618024	FX Swivel Hanger, M10, 1-1/4", MSS SP-58 & SP-69(Type 10), FM, UL	1 1/4"	32	M10	90	1334	200
618030	FX Swivel Hanger, M10, 1-1/2", MSS SP-58 & SP-69(Type 10), FM, UL	1 1/2"	40	M10	97	1334	200
618036	FX Swivel Hanger, M10, 2", MSS SP-58 & SP-69(Type 10), FM, UL	2"	50	M10	108	1334	150
618042	FX Swivel Hanger, M10, 2-1/2", MSS SP-58 & SP-69(Type 10), FM, UL	2 1/2"	65	M10	124	2334	150
618048	FX Swivel Hanger, M10, 3", MSS SP-58 & SP-69(Type 10), FM, UL	3"	80	M10	144	2334	100
618054	FX Swivel Hanger, M10, 3-1/2", MSS SP-58 & SP-69(Type 10), FM, UL	3 1/2"	90	M10	155	2600	100
618060	FX Swivel Hanger, M10, 4", MSS SP-58 & SP-69(Type 10), FM, UL	4"	100	M10	174	2890	100
618066	FX Swivel Hanger, M12, 5", MSS SP-58 & SP-69(Type 10), FM, UL	5"	125	M12	208	4445	50
618072	FX Swivel Hanger, M12, 6", MSS SP-58 & SP-69(Type 10), FM, UL	6"	150	M12	245	4445	50
618078	FX Swivel Hanger, M12, 8", MSS SP-58 & SP-69(Type 10), FM, UL	8"	200	M12	313	4445	30

*Available on request