

Special Clamps

Two piece special clamp with strong clamping bolts

Material specifications	
Material	Carbon Steel
Coatings	Galvanised Hot-Dip Galvanized*, Powder coated*
Properties	Service Temperature up to 300°C

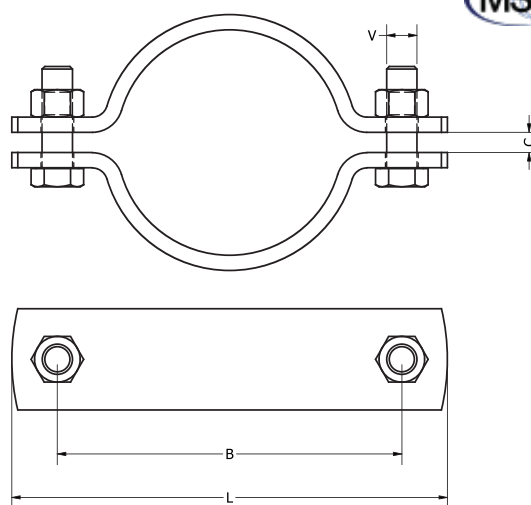


Applications

- Installation of horizontal heavy duty pipes
- Suitable for distribution of heavy loads when mounting pipes with longer spans

Features & Benefits

- Approved by Factory Mutual (FM) and Underwriters Laboratories (UL)
- Complies with Manufacturer's Standardization Society - MSS-SP-58 and MSS-SP-69 (Type 4)
- Two clamping bolts offers enhanced strength and stability
- Heavy duty design results in higher load carrying capacity



Select Variant

Article No.	Product Description	Pipe Size		V	L	B	C	Max. Reco. Static Load (Frec)	Pack Size
		(inch)	(mm)						
619000	FX SRS Standard, 1/2", MSS SP-58 & SP-69(Type 4), UL	1/2"	15	M10	94	64	10	2230	200
619006	FX SRS Standard, 3/4", MSS SP-58 & SP-69(Type 4), FM, UL	3/4"	20	M10	103	73	10	2230	150
619012	FX SRS Standard, 1", MSS SP-58 & SP-69(Type 4), FM, UL	1"	25	M10	109	79	10	2230	150
619018	FX SRS Standard, 1-1/4", MSS SP-58 & SP-69(Type 4), FM, UL	1-1/4"	32	M10	119	89	10	2230	200
619024	FX SRS Standard, 1-1/2", MSS SP-58 & SP-69(Type 4), FM, UL	1-1/2"	40	M10	128	98	10	3560	200
619030	FX SRS Standard, 2", MSS SP-58 & SP-69(Type 4), FM, UL	2"	50	M10	138	108	10	4630	120
619036	FX SRS Standard, 2-1/2", MSS SP-58 & SP-69(Type 4), FM, UL	2-1/2"	65	M10	152	122	13	4630	70
619042	FX SRS Standard, 3", MSS SP-58 & SP-69(Type 4), FM, UL	3"	80	M10	170	140	13	4630	50
619048	FX SRS Standard, 3-1/2", MSS SP-58 & SP-69(Type 4), FM, UL	3-1/2"	90	M10	182	152	13	4630	45
619054	FX SRS Standard, 4", MSS SP-58 & SP-69(Type 4), FM, UL	4"	100	M10	214	178	13	4630	15
619060	FX SRS Standard, 5", MSS SP-58 & SP-69(Type 4), FM, UL	5"	125	M12	239	203	13	4630	10
619066	FX SRS Standard, 6", MSS SP-58 & SP-69(Type 4), FM, UL	6"	150	M12	265	229	13	7190	10
619072	FX SRS Standard, 8", MSS SP-58 & SP-69(Type 4), FM, UL	8"	200	M16	349	305	16	7190	1
619078	FX SRS Standard, 10", MSS SP-58 & SP-69(Type 4), UL	10"	250	M16	393	349	16	11080	1
619084	FX SRS Standard, 12", MSS SP-58 & SP-69(Type 4), UL	12"	300	M16	450	406	16	11080	1
619090	FX SRS Standard, 14", MSS SP-58 & SP-69(Type 4)	14"	350	M16	485	441	20	11080	1
619096	FX SRS Standard, 16", MSS SP-58 & SP-69(Type 4)	16"	400	M20	568	508	20	11080	1
619102	FX SRS Standard, 18", MSS SP-58 & SP-69(Type 4)	18"	450	M20	619	559	20	13620	1
619108	FX SRS Standard, 20", MSS SP-58 & SP-69(Type 4)	20"	500	M20	670	610	20	13620	1
619114	FX SRS Standard, 24", MSS SP-58 & SP-69(Type 4)	24"	600	M24	807	737	25	13620	1

*Available on request