

Single Bossed Clamps

Two piece single bossed clamp with noise insulating rubber lining

| Material specifications | |
|--------------------------|---|
| Material | Pipe Clamp - DD11 or equivalent steel Lining - EPDM |
| Coatings | Galvanized, Dacrotized, Zinc Magnesium* |
| Lining Properties | Service Temperature -20°C to +110°C Noise Reduction Up to 18dB (A) |

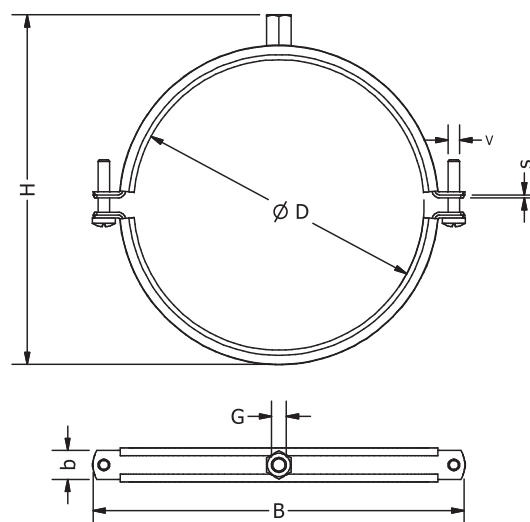


Applications

- Installation of Fire Fighting & Process Pipes
- Suitable for installation of steel pipes

Features & Benefits

- Solid connection boss, welded all round
- Two locking screws offers enhanced flexibility in accomdating higher variation of pipe diameters
- Dual nut allows multiple threaded attachments
- Reinforced rib and tread grommet design provide enhanced strength
- Noise insulating and temperature resistant EPDM lining



Select Variant

| Article No. | | Product Description | Clamping Range (D) (mm) | Pipe Size | | G | B (mm) | H (mm) | bxs (mm) | V | Max. Reco. Static Load (Frec) (N) | Pack Size (Nos) |
|-----------------|------------------|--|-------------------------|-----------|------|---------|--------|--------|----------|----|-----------------------------------|-----------------|
| Galvanized (vz) | Dacrotized (fvz) | | | (inch) | (mm) | | | | | | | |
| 614000 | 614001 | FX SRS Regular, M10/M12, 3/8", (14-20) | 14-20 | 3/8" | - | M10/M12 | 64 | 60 | 20x2.0 | M6 | 1700 | 100 |
| 614006 | 614007 | FX SRS Regular, M10/M12, 1/2", (21-26) | 21-26 | 1/2" | - | M10/M12 | 71 | 66 | 20x2.0 | M6 | 1700 | 100 |
| 614012 | 614013 | FX SRS Regular, M10/M12, 3/4", (26-30) | 26-30 | 3/4" | - | M10/M12 | 75 | 70 | 20x2.0 | M6 | 1700 | 100 |
| 614018 | 614019 | FX SRS Regular, M10/M12, 1", (31-38) | 31-38 | 1" | - | M10/M12 | 81 | 76 | 20x2.0 | M6 | 1700 | 100 |
| 614024 | 614025 | FX SRS Regular, M10/M12, 40 mm, (35-42) | 35-42 | - | 40 | M10/M12 | - | - | 20x2.0 | M6 | 1700 | 50 |
| 614030 | 614031 | FX SRS Regular, M10/M12, 1 1/4", (40-47) | 40-47 | 1 1/4" | - | M10/M12 | 91 | 86 | 20x2.0 | M6 | 1700 | 50 |
| 614036 | 614037 | FX SRS Regular, M10/M12, 1 1/2", (48-54) | 48-54 | 1 1/2" | - | M10/M12 | 100 | 94 | 20x2.0 | M6 | 1700 | 50 |
| 614042 | 614043 | FX SRS Regular, M10/M12, 57 mm, (54-60) | 54-60 | - | 57 | M10/M12 | 105 | 99 | 20x2.0 | M6 | 1700 | 50 |
| 614048 | 614049 | FX SRS Regular, M10/M12, 2", (60-66) | 60-66 | 2" | - | M10/M12 | 111 | 105 | 20x2.0 | M6 | 1700 | 50 |
| 614054 | 614055 | FX SRS Regular, M10/M12, 65 mm, (63-68) | 63-68 | - | 65 | M10/M12 | - | - | 25x2.5 | M8 | 2200 | 50 |
| 614060 | 614061 | FX SRS Regular, M10/M12, 70 mm, (68-73) | 68-73 | - | 70 | M10/M12 | 126 | 114 | 25x2.5 | M8 | 2200 | 50 |
| 614066 | 614067 | FX SRS Regular, M10/M12, 2 1/2", (73-80) | 73-80 | 2 1/2" | - | M10/M12 | 131 | 119 | 25x2.5 | M8 | 2200 | 50 |
| 614072 | 614073 | FX SRS Regular, M10/M12, 83 mm, (82-87) | 82-87 | - | 83 | M10/M12 | 142 | 129 | 25x2.5 | M8 | 2900 | 50 |
| 614078 | 614079 | FX SRS Regular, M10/M12, 3", (87-94) | 87-94 | 3" | - | M10/M12 | 146 | 133 | 25x2.5 | M8 | 2900 | 50 |
| 614084 | 614085 | FX SRS Regular, M10/M12, 102 mm, (99-104) | 99-104 | - | 102 | M10/M12 | 157 | 144 | 25x2.5 | M8 | 2900 | 25 |
| 614090 | 614091 | FX SRS Regular, M10/M12, 110 mm, (105-112) | 105-112 | - | 110 | M10/M12 | 166 | 153 | 25x2.5 | M8 | 2900 | 25 |
| 614096 | 614097 | FX SRS Regular, M10/M12, 4", (112-118) | 112-118 | 4" | - | M10/M12 | 172 | 159 | 25x2.5 | M8 | 2900 | 25 |
| 614102 | 614103 | FX SRS Regular, M10/M12, 125 mm, (122-128) | 122-128 | - | 125 | M10/M12 | 182 | 169 | 25x2.5 | M8 | 2900 | 25 |
| 614108 | 614109 | FX SRS Regular, M10/M12, 133 mm, (132-137) | 132-137 | - | 133 | M10/M12 | 191 | 178 | 25x2.5 | M8 | 2900 | 25 |
| 614114 | 614115 | FX SRS Regular, M10/M12, 5", (137-142) | 137-142 | 5" | - | M10/M12 | 196 | 183 | 25x2.5 | M8 | 2900 | 25 |
| 614120 | 614121 | FX SRS Regular, M10/M12, 144 mm, (142-148) | 142-148 | - | 144 | M10/M12 | 202 | 189 | 25x2.5 | M8 | 2900 | 25 |
| 614126 | 614127 | FX SRS Regular, M10/M12, 150 mm, (149-156) | 149-156 | - | 150 | M10/M12 | 210 | 197 | 25x2.5 | M8 | 2900 | 25 |
| 614132 | 614133 | FX SRS Regular, M10/M12, 160 mm, (159-164) | 159-164 | - | 160 | M10/M12 | 218 | 205 | 25x2.5 | M8 | 2900 | 25 |

Single Bossed Clamps

| Article No. | | Product Description | Clamping Range (D) (mm) | Pipe Size | | G | B (mm) | H (mm) | bxs (mm) | V | Max. Reco. Static Load (Frec) (N) | Pack Size (Nos) |
|-----------------|------------------|--|-------------------------|-----------|------|---------|--------|--------|----------|-----|-----------------------------------|-----------------|
| Galvanized (vz) | Dacrotized (fvz) | | | (inch) | (mm) | | | | | | | |
| 614138 | 614139 | FX SRS Regular, M10/M12, 6", (164-169) | 164-169 | 6" | - | M10/M12 | 223 | 210 | 25x2.5 | M8 | 2900 | 25 |
| 614144 | 614145 | FX SRS Regular, M10/M12, 170 mm, (169-172) | 169-172 | - | 170 | M10/M12 | 225 | 212 | 25x2.5 | M8 | 3500 | 25 |
| 614150 | 614151 | FX SRS Regular, M10/M12, 180 mm, (177-183) | 177-183 | - | 180 | M10/M12 | 235 | 223 | 25x2.5 | M8 | 3500 | 25 |
| 614156 | 614157 | FX SRS Regular, M10/M12, 200 mm, (197-203) | 197-203 | - | 200 | M10/M12 | 256 | 243 | 25x2.5 | M8 | 3500 | 25 |
| 614162 | 614163 | FX SRS Regular, M10/M12, 212 mm, (208-214) | 208-214 | - | 212 | M10/M12 | 284 | 256 | 40x3.0 | M10 | 5800 | 10 |
| 614168 | 614169 | FX SRS Regular, M10/M12, 8", (217-225) | 217-225 | 8" | - | M10/M12 | 295 | 267 | 40x3.0 | M10 | 5800 | 10 |
| 614174 | 614175 | FX SRS Regular, M10/M12, 225 mm, (225-232) | 225-232 | - | 225 | M10/M12 | 304 | 274 | 40x3.0 | M10 | 5800 | 10 |

*Available on request