

**Single Bossed Clamps**

Two piece single bossed clamp with strong clamping bolts and noise insulating rubber lining

Material specifications	
<b>Material</b>	<b>Pipe Clamp</b> - DD11 or equivalent steel <b>Lining</b> - EPDM
<b>Coatings</b>	Galvanized, Dacrotized*, Zinc Magnesium*
<b>Lining Properties</b>	<b>Service Temperature</b> -20°C to +110°C <b>Noise Reduction</b> Up to 18dB (A)

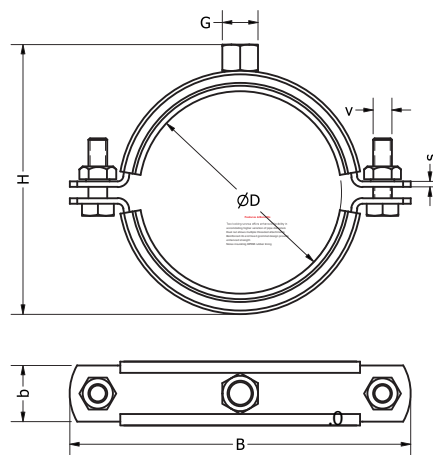


**Applications**

- Installation of heavy duty industrial pipes
- Suitable for installation of cast iron and ductile iron pipes

**Features & Benefits**

- Strong clamping bolts for higher loads
- Solid connection boss, welded all round
- Two clamping bolts offers enhanced flexibility in accomdating higher variation of pipe diameters
- Reinforced rib design provides enhanced strength
- Noise insulating and temperature resistant EPDM lining



**Select Variant**

Article No.	Product Description	Clamping Range (D) (mm)	Pipe Size		G	B	H	bxs	V	Max. Reco. Static Load (Frec)	Pack Size
			(inch)	(mm)							
615500	FX SRS Heavy, M12, 1/4", (12-17)	12 - 17	1/4"	-	M12	75	26	25x2.0	M8	2750	50
615506	FX SRS Heavy, M12, 1/2", (21-28)	21 - 28	1/2"	-	M12	81	30	25x2.0	M8	2750	50
615512	FX SRS Heavy, M12, 3/4", (25-32)	25 - 32	3/4"	-	M12	87	33	25x2.0	M8	2750	50
615518	FX SRS Heavy, M12, 1", (33-40)	33 - 40	1"	-	M12	94	37	25x2.0	M8	2750	50
615524	FX SRS Heavy, M12, 1 1/4", (41-48)	41 - 48	1 1/4"	-	M12	103	41	25x2.0	M8	2750	50
615530	FX SRS Heavy, M12, 1 1/2", (48-56)	48 - 56	1 1/2"	-	M12	111	45	25x2.0	M8	2750	50
615536	FX SRS Heavy, M12, 57 mm, (53-59)	53 - 59	-	57	M12	120	49	25x2.0	M8	2750	40
615542	FX SRS Heavy, M12, 2", (60-69)	60 - 69	2"	-	M12	125	51	25x2.0	M8	2750	40
615548	FX SRS Heavy, M12, 70 mm, (67-75)	67 - 75	-	70	M12	134	55	25x2.0	M8	2750	40
615554	FX SRS Heavy, M12, 2 1/2", (75-81)	75 - 81	2 1/2"	-	M12	141	59	25x2.0	M8	2750	30
615560	FX SRS Heavy, M12, 83 mm, (83-91)	83 - 91	-	83	M12	149	63	25x2.0	M8	2750	30
615566	FX SRS Heavy, M12, 3", (87-95)	87 - 95	3"	-	M12	154	65	25x2.0	M8	2750	30
615572	FX SRS Heavy, M12, 102 mm, (95-104)	95 - 104	-	102	M12	161	69	25x2.0	M8	2750	30
615578	FX SRS Heavy, M12, 110 mm, (102-112)	102 - 112	-	110	M12	169	73	30x2.5	M8	3750	30
615584	FX SRS Heavy, M12, 4", (109-119)	109 - 119	4"	-	M12	178	79	30x2.5	M8	3750	30
615590	FX SRS Heavy, M16, 125 mm, (122-138)	122 - 138	-	125	M16	192	90	30x3.0	M10	6000	20
615596	FX SRS Heavy, M16, 133 mm, (128-141)	128 - 141	-	133	M16	197	93	30x3.0	M10	6000	20
615602	FX SRS Heavy, M16, 5", (136-147)	136 - 147	5"	-	M16	204	96	30x3.0	M10	6000	10
615608	FX SRS Heavy, M16, 160 mm, (153-164)	153 - 164	-	160	M16	220	104	30x3.0	M10	6000	10
615614	FX SRS Heavy, M16, 6", (164-174)	164 - 174	6"	-	M16	229	109	30x3.0	M10	6000	10
615620	FX SRS Heavy, M16, 200 mm, (196-209)	196 - 209	-	200	M16	264	126	30x3.0	M10	6000	20
615626	FX SRS Heavy, M16, 8", (214-226)	214 - 226	8"	-	M16	279	134	30x4.0	M10	6000	15
615632	FX SRS Heavy, M16, 240 mm, (240-250)	240 - 250	-	240	M16	310	148	30x4.0	M10	6000	15

**Single Bossed Clamps**

Article No.	Product Description	Clamping Range (D) (mm)	Pipe Size		G	B (mm)	H (mm)	bxs (mm)	V	Max. Reco. Static Load (Frec) (N)	Pack Size (Nos)
			(inch)	(mm)							
615638	FX SRS Heavy, M16, 10", (266-274)	266 - 274	10"	-	M16	335	162	30x4.0	M10	6000	15
615644	FX SRS Heavy, M16, 12", (308-324)	308 - 324	12"	-	M16	400	185	40x4.0	M12	11700	10
615650	FX SRS Heavy, M16, 14", (340-356)	340 - 356	14"	-	M16	432	201	40x4.0	M12	11700	10
615656	FX SRS Heavy, M16, 380 mm, (374-390)	374 - 390	-	380	M16	505	214	50x5.0	M16	13000	5
615662	FX SRS Heavy, M16, 16", (393-409)	393 - 409	16"	-	M16	537	230	50x5.0	M16	13000	5
615668	FX SRS Heavy, M16, 18", (444-460)	444 - 460	18"	-	M16	590	261	50x5.0	M16	13000	5
615674	FX SRS Heavy, M16, 20", (497-512)	497 - 512	20"	-	M16	645	286	50x5.0	M16	13000	4

\*Available on request