

## Special Clamps

Pipe Hanger or Pipe Support connected to the Riser

Material specifications	
<b>Material</b>	Carbon Steel
<b>Coatings</b>	Galvanised Hot dipped galvanized*, Powder coated*

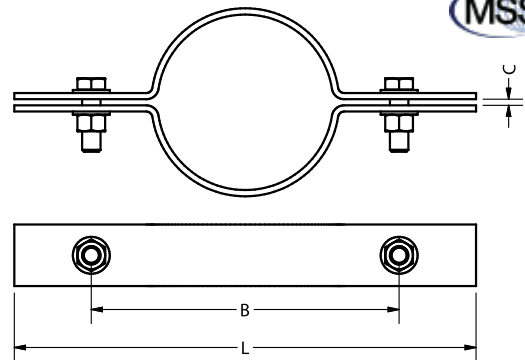


### Applications

- Installation of vertical riser pipes

### Features & Benefits

- Complies with Manufacturer's Standardization Society - MSS-SP-58 and MSS-SP-69 (Type 8)
- Approved by Factory Mutual (FM) and Underwriters Laboratories (UL)
- Acts as a rigid support or guide for vertical pipes
- Allows transfer of vertical loads to building structure



### Select Variant

Article No.	Product Description	Pipe Size		L (mm)	B (mm)	C (mm)	Max. Reco. Static Load (Frec) (N)	Pack Size (Nos)
		(inch)	(mm)					
616700	FX Riser Clamp 1/2", MSS SP-58 & SP-69(Type 8), UL	1/2"	15	216	64	10	980	50
616706	FX Riser Clamp 3/4", MSS SP-58 & SP-69(Type 8), FM, UL	3/4"	20	223	73	10	980	50
616712	FX Riser Clamp 1", MSS SP-58 & SP-69(Type 8), FM, UL	1"	25	229	79	10	980	42
616718	FX Riser Clamp 1 1/4", MSS SP-58 & SP-69(Type 8), FM, UL	1 1/4"	32	240	89	10	1120	42
616724	FX Riser Clamp 1 1/2", MSS SP-58 & SP-69(Type 8), FM, UL	1 1/2"	40	250	98	10	1120	42
616730	FX Riser Clamp 2", MSS SP-58 & SP-69(Type 8), FM, UL	2"	50	260	108	10	1340	30
616736	FX Riser Clamp 2 1/2", MSS SP-58 & SP-69(Type 8), FM, UL	2 1/2"	65	280	122	13	1780	25
616742	FX Riser Clamp 3", MSS SP-58 & SP-69(Type 8), FM, UL	3"	80	300	140	13	2230	20
616748	FX Riser Clamp 3 1/2", MSS SP-58 & SP-69(Type 8), FM, UL	3 1/2"	90	312	152	13	2230	15
616754	FX Riser Clamp 4", MSS SP-58 & SP-69(Type 8), FM, UL	4"	100	330	178	13	3340	12
616760	FX Riser Clamp 5", MSS SP-58 & SP-69(Type 8), FM, UL	5"	125	368	203	13	6680	10
616766	FX Riser Clamp 6", MSS SP-58 & SP-69(Type 8), FM, UL	6"	150	406	229	13	7120	4
616772	FX Riser Clamp 8", MSS SP-58 & SP-69(Type 8), FM, UL	8"	200	464	305	16	11200	4
616778	FX Riser Clamp 10", MSS SP-58 & SP-69(Type 8), UL	10"	250	524	349	16	11200	3
616784	FX Riser Clamp 12", MSS SP-58 & SP-69(Type 8), UL	12"	300	570	406	16	12000	1
616790	FX Riser Clamp 14", MSS SP-58 & SP-69(Type 8)	14"	350	613	441	20	12000	1
616796	FX Riser Clamp 16", MSS SP-58 & SP-69(Type 8)	16"	400	688	508	25	12900	1
616802	FX Riser Clamp 18", MSS SP-58 & SP-69(Type 8)	18"	450	739	559	25	12900	1
616808	FX Riser Clamp 20", MSS SP-58 & SP-69(Type 8)	20"	500	790	610	25	12900	1
616814	FX Riser Clamp 24", MSS SP-58 & SP-69(Type 8)	24"	600	935	737	32	12900	1

\*Available on request