

Connectors

Connection element for 90° connections of FXT Heavy Rail Profiles

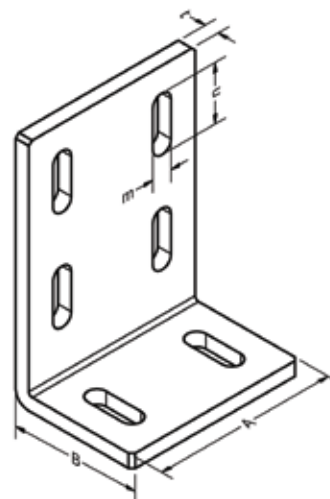
Material specifications	
Material	S235JR or equivalent steel
Coatings	Hot-Dip Galvanized

Applications

- Building heavy duty frame structures using FXT Heavy Rail Profiles
- Structural connection of FXT Heavy Rail Profiles
- Connecting FXT Heavy Rail Profiles at right angles

Features & Benefits

- Quick and efficient connections of heavy support structures
- Creation of rigid structures without welding
- High load bearing capacity owing to special material properties and design
- Hot-dip galvanized in accordance to EN 1461 assures higher corrosion protection and provides flexibility of using in Indoors as well as outdoors



Select Variant

Article No.	Product Description	FXT Heavy Rail Profile	A (mm)	B (mm)	Ø d (mm)	m x n (mm)	t (mm)
639301	FXT Mounting Angle 90°, (1+1)	80 80	80	70	-	11 x 32	6
639311	FXT Mounting Angle 90°, (2+1), 80 80	80 80	100	70	-	11 x 32	6
639321	FXT Mounting Angle 90° (2+1), 100 100, 100 120, 100 150	100 100,100 120, 100 150	100	70	14	11 x 32	8