

Connectors

Connection element for attachment of FXT Heavy Rail Profiles to steel girders

Material specifications	
Material	S235JR or equivalent steel
Coatings	Hot-Dip Galvanized

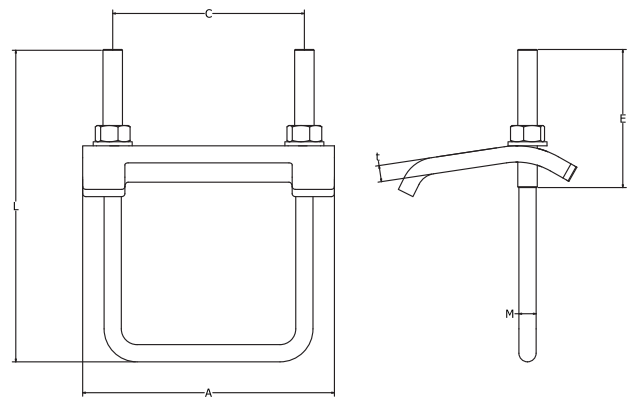


Applications

- Connection of FXT Heavy Rail Profiles to steel girders without welding or drilling

Features & Benefits

- Easy to install, Pre-assembled Kit
- Enables secured transfer of loads from FXT Heavy Rail Profiles to steel girders
- Allows adjustment of FXT Heavy Rail Profiles along and across the supporting beam
- Suitable for Flange thicknesses of common steel girder profiles



Select Variant

Article No.	Product Description	FXT Heavy Rail Profile	A (mm)	C (mm)	M (mm)	E (mm)	t (mm)	L (mm)
639951	FXT Girder Cleat, 80 80	80 80	135	96	M12	60	8	140
639961	FXT Girder Cleat, 100 100	100 100	155	116	M12	85	10	190
639971	FXT Girder Cleat, 100 120	100 120	155	116	M12	85	10	190
639981	FXT Girder Cleat, 100 150	100 150	155	120	M16	90	12	230

*Available on request