

Connectors

Fixing element for Inplane connection of FXT Heavy Rail Profiles

Material specifications

Material	S235JR or equivalent steel
Coatings	Hot-Dip Galvanized

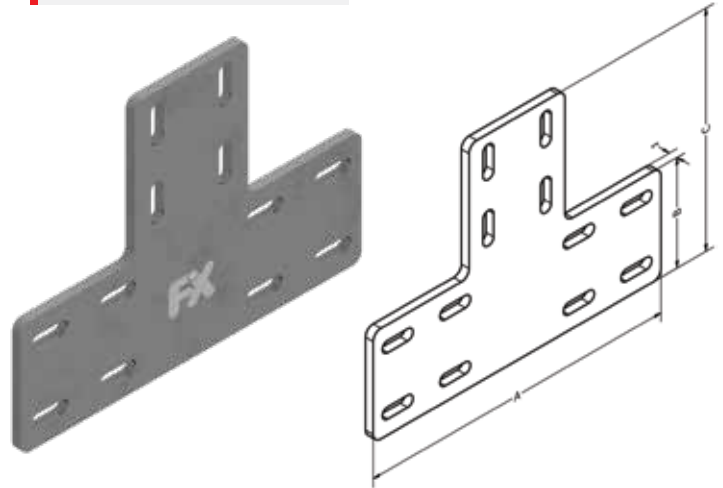
Applications

- Inplane structural connections of FXT Heavy Rail Profiles
- Building heavy duty frame structures using FXT Heavy Rail Profiles

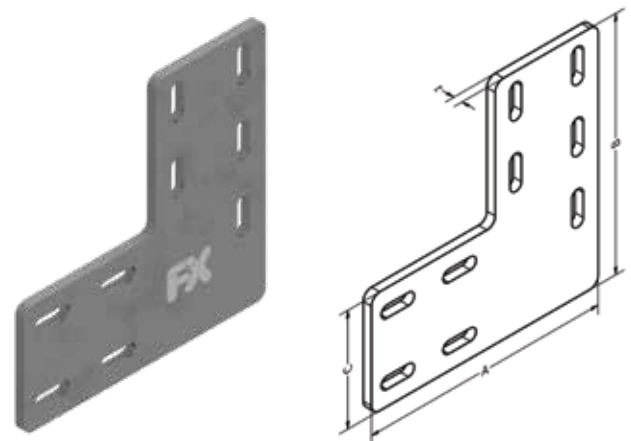
Features & Benefits

- Ensuring reliable connection of flat and spatial fastening systems
- Quick and efficient connections of heavy support structures
- Creation of rigid structures without welding
- High load bearing capacity owing to special material properties and design
- Hot-dip galvanized in accordance to EN 1461 assures higher corrosion protection and provides flexibility of using in Indoors as well as outdoors

FXT Flat Connector - T



FXT Flat Connector - L



Select Variant

Article No.	Product Description	FXT Heavy Rail Profile	A (mm)	B (mm)	C (mm)	t (mm)
639501	FXT Flat Connector T, 80 80	80 80	300	80	200	6
639511	FXT Flat Connector T, 100 100	100 100	300	100	220	8
639521	FXT Flat Connector L, 80 80	80 80	200	200	80	6
639531	FXT Flat Connector L, 100 100	100 100	220	220	100	8