

Connectors

Variable supporting flange for FXR Mounting Rails

Material specifications	
Material	Base Plate: S235 JR or equivalent steel Flange Profile: DD11 or equivalent steel
Coatings	Galvanized, Hot-Dip Galvanized (HDG), Powder Coating*, Zinc Magnesium*

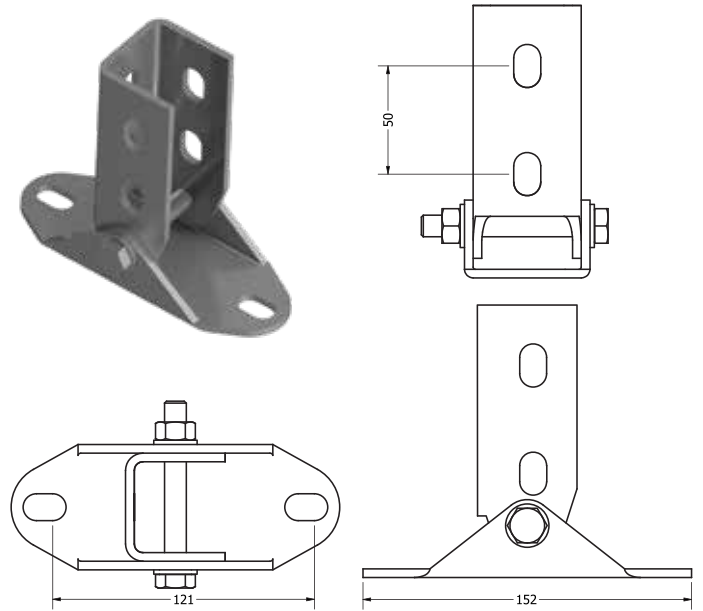
Applications

- Ideal for bracing installation for FXR Mounting Rail structures and seismic support installations.
- Structural connection of FXR Mounting Rails with any supporting material
- Suitable for inclined roof/ceilings in PEB and RCC structures

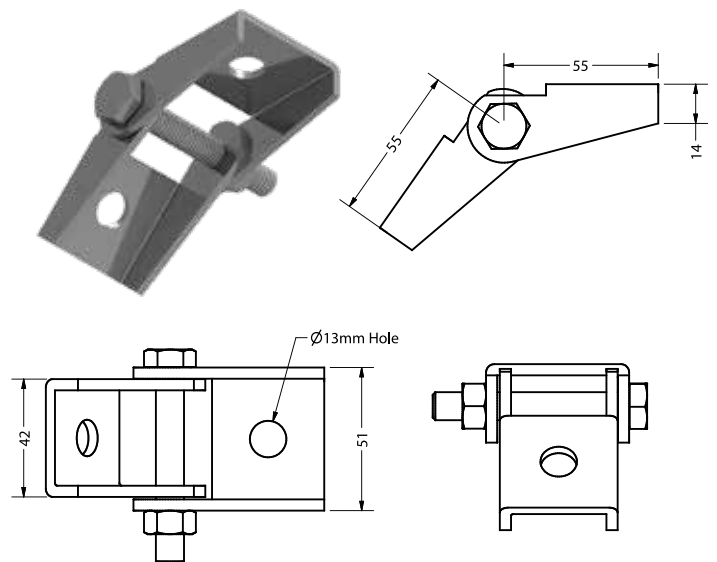
Features & Benefits

- Increased flexibility during installation
- Ease of installation with less components
- Pre-assembled for rapid installation.

FXR Variable Saddle Flange (2+2)



FXR Variable Saddle Flange (1+1)



Select Variant

Article No.		Product Description	Pack Size (Nos)
Galvanized (vz)	HDG (fvz)		
637810	637811	FXR Variable Saddle Flange (2+2) - 41I21 - 41I62	10
637820	637821	FXR Variable Saddle Flange (1+1) - 41I21 - 41I62	20

*Available on request

Connectors

Variable supporting flange for FXR Mounting Rails

Material specifications	
Material	Base Plate: S235 JR or equivalent steel Flange Profile: DD11 or equivalent steel
Coatings	Galvanized, Hot-Dip Galvanized (HDG), Powder Coating*, Zinc Magnesium*

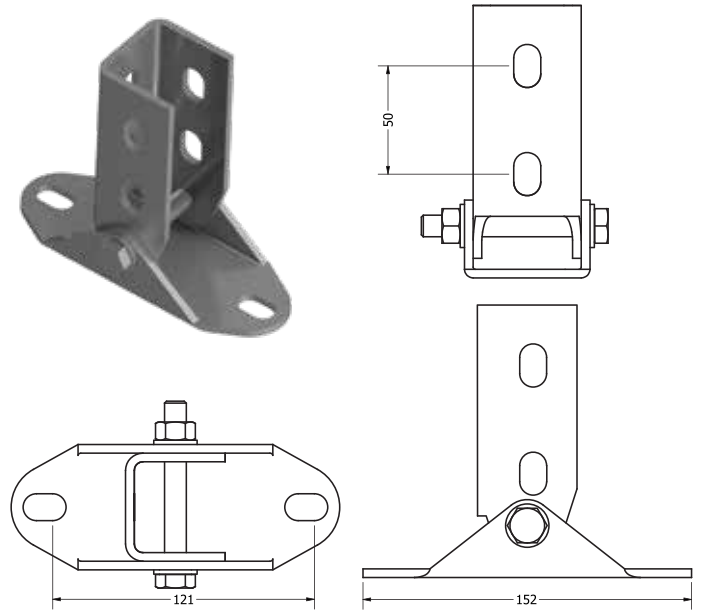
Applications

- Ideal for bracing installation for FXR Mounting Rail structures and seismic support installations.
- Structural connection of FXR Mounting Rails with any supporting material
- Suitable for inclined roof/ceilings in PEB and RCC structures

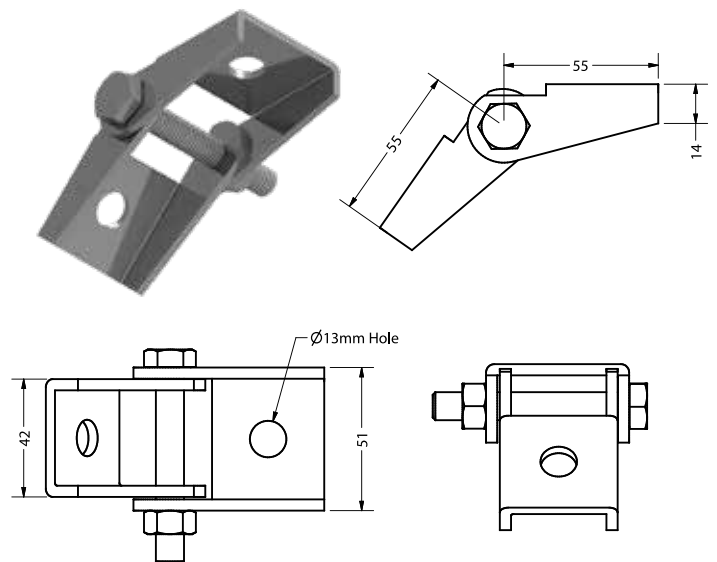
Features & Benefits

- Increased flexibility during installation
- Ease of installation with less components
- Pre-assembled for rapid installation.

FXR Variable Saddle Flange (2+2)



FXR Variable Saddle Flange (1+1)



Select Variant

Article No.		Product Description	Pack Size (Nos)
Galvanized (vz)	HDG (fvz)		
637810	637811	FXR Variable Saddle Flange (2+2) - 41I21 - 41I62	10
637820	637821	FXR Variable Saddle Flange (1+1) - 41I21 - 41I62	20

*Available on request