

# FXR Saddle Flange



## Connectors

Supporting flange for FXR Mounting Rails

Material specifications	
<b>Material</b>	<b>Base Plate</b> : S235 JR or equivalent steel <b>Flange Profile</b> : DD11 or equivalent steel
<b>Coatings</b>	Galvanized, Hot-Dip Galvanized (HDG), Powder Coating*, Zinc Magnesium*

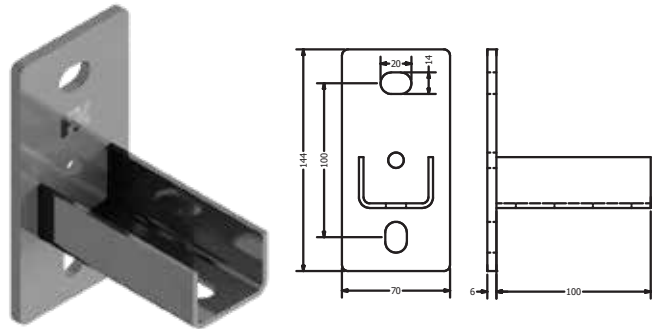
### Applications

- Structural connection of FXR Mounting Rails with any supporting material
- Allows for individual creation of cantilever arms

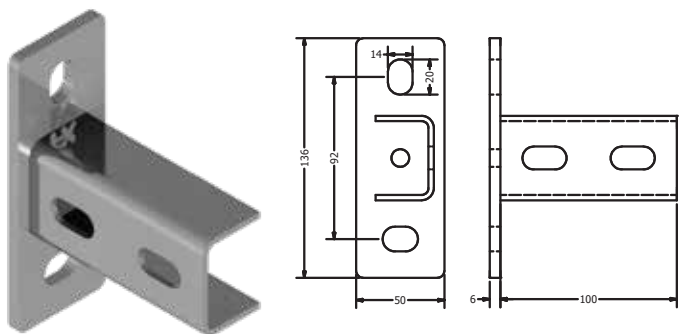
### Features & Benefits

- Provides higher torsional and bending rigidity for FXR Mounting rails
- Simple installation by inserting the mounting rail in the saddle.
- Allows lateral and vertical adjustment of FXR Mounting Rail with reliable fastening.
- High load bearing capacity owing to special material properties and design.

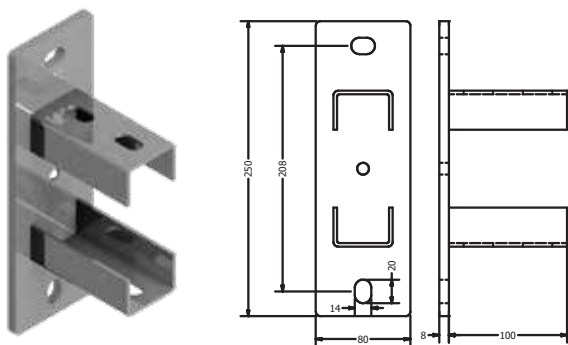
### FXR Saddle Flange - Lengthwise



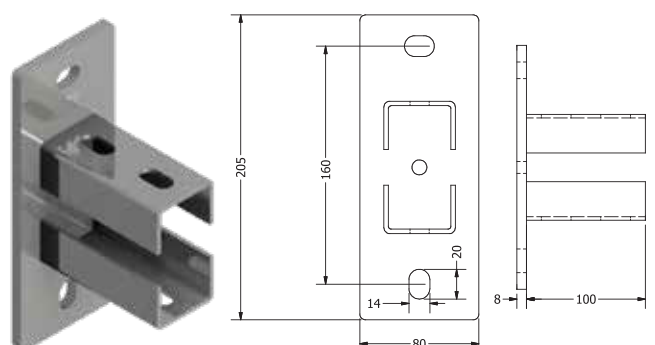
### FXR Saddle Flange - Crosswise



### FXR Saddle Flange - Lengthwise Heavy - 41124



### FXR Saddle Flange - Lengthwise Heavy - 41182



### Select Variant

Article No.		Product Description	Orientation	Pack Size (Nos)
Galvanized (vz)	HDG (fvz)			
637000	637001	FXR Saddle Flange - Lengthwise - 41141, 41162	Lengthwise	20
637005	637006	FXR Saddle Flange - Crosswise - 41141, 41162	Crosswise	20
637010	637011	FXR Saddle Flange - Lengthwise Heavy - 41182	Lengthwise	5
637015	637016	FXR Saddle Flange - Lengthwise Heavy - 41124	Lengthwise	5

\*Available on request