

Connectors

Connection element for 90° connections of FXR Mounting Rails

Material specifications	
Material	S235 JR or equivalent steel
Coatings	Galvanized, Hot-Dip Galvanized (HDG), Powder Coating*, Zinc Magnesium*

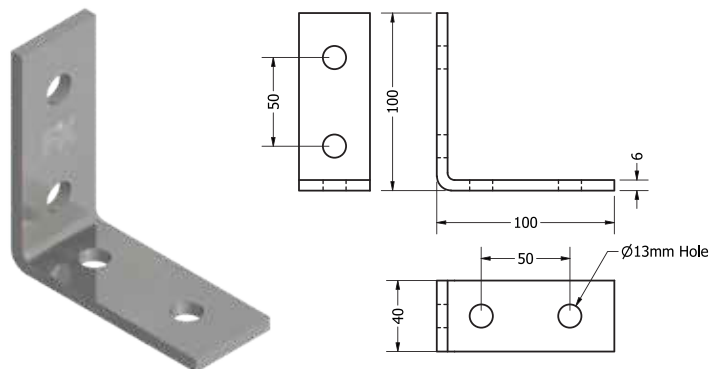
Applications

- Building frame structures using FXR Mounting Rails
- Structural connection of FXR Mounting Rails
- Connecting FXR Mounting Rails at right angles

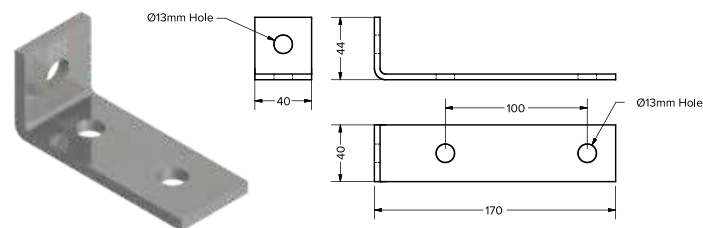
Features & Benefits

- Quick and efficient connections of multiple support structures
- Creation of rigid structures without welding
- High load bearing capacity owing to special material properties and design.

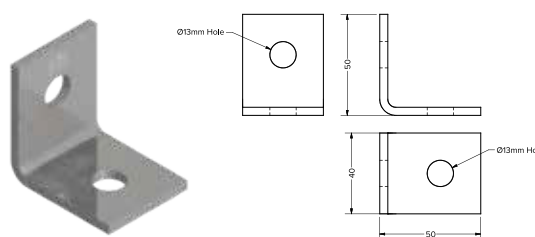
FXR Mounting Angle 90° (2 + 2)



FXR Mounting Angle 90° (2 + 1)



FXR Mounting Angle 90° (1 + 1)



Select Variant

Article No.		Product Description	FXR Mounting Rail	Angle	Width (mm)	Pack Size (Nos)
Galvanized (vz)	HDG (fvz)					
637100	637101	FXR Mounting Angle 90° (2+2)	41 21 - 41 124	90°	40	25
637105	637106	FXR Mounting Angle 90° (2+1)	41 21 - 41 124	90°	40	30
637110	637111	FXR Mounting Angle 90° (1+1)	41 21 - 41 124	90°	40	50

*Available on request