

FXR Lateral Angle Connector (2+2)



Connectors

Fixing element for lateral connection of FXR mounting Rails

Material specifications	
Material	S235 JR or equivalent steel
Coatings	Galvanized, Hot-Dip Galvanized (HDG), Powder Coating*, Zinc Magnesium*

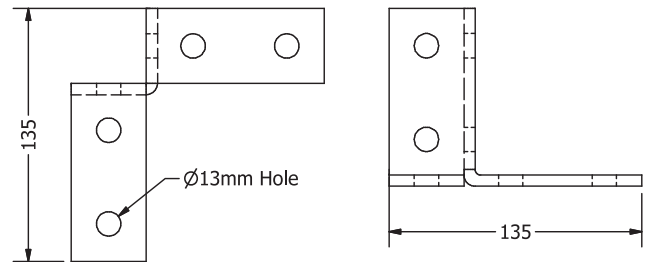
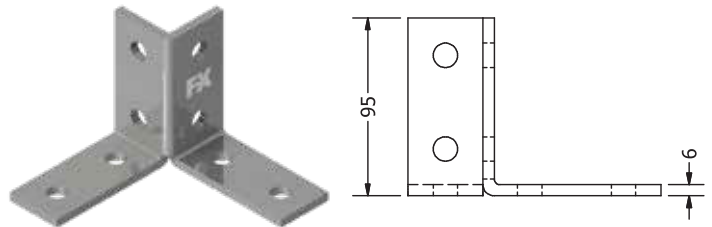
Applications

- Building 2-Dimensional and 3-Dimensional frame structures using FXR Mounting Rails
- Structural connection of FXR Mounting Rails

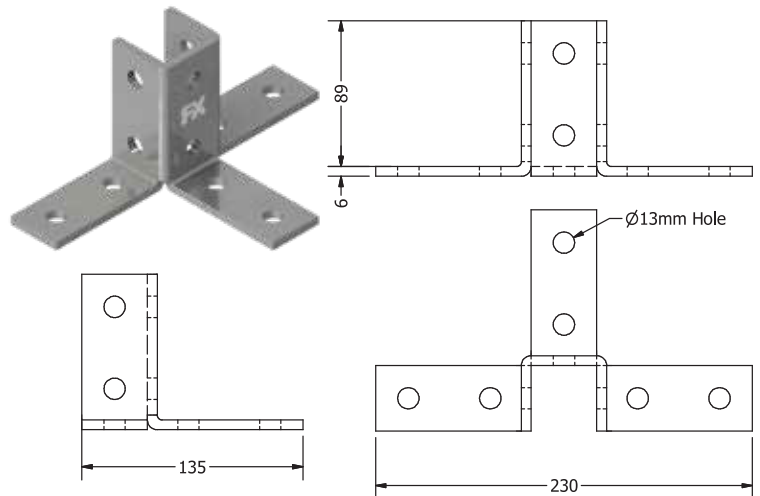
Features & Benefits

- Easy to install with less components
- Quick and efficient connections of multiple support structures
- Creation of rigid structures without welding
- High load bearing capacity owing to special material properties and design.

FXR Lateral Angle Connector (2+2) - Double sided



FXR Lateral Angle Connector (2+2) - Three sided



Select Variant

Article No.		Product Description	FXR Mounting Rail	Pack Size (Nos)
Galvanized (vz)	HDG (fvz)			
637420	637421	FX Lateral Angle Connector (2+2) - Double sided	41 21-41 124	25
637430	637431	FX Lateral Angle Connector (2+2) - Three sided	41 21-41 124	25

*Available on request