

Connectors

Fixing element for Inplane connection of FXR Mounting Rails

Material specifications	
Material	S235 JR or equivalent steel
Coatings	Galvanized, Hot-Dip Galvanized (HDG), Powder Coating*, Zinc Magnesium*

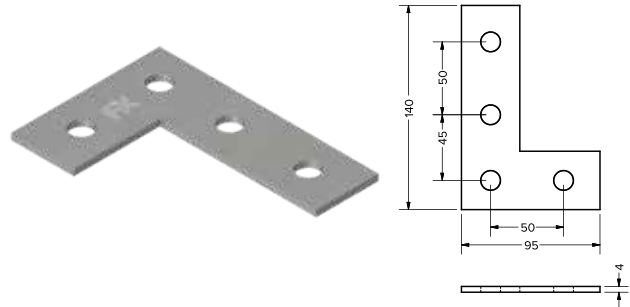
Applications

- Inplane structural connections of FXR Mounting Rails
- Building frame structures using FXR Mounting rails

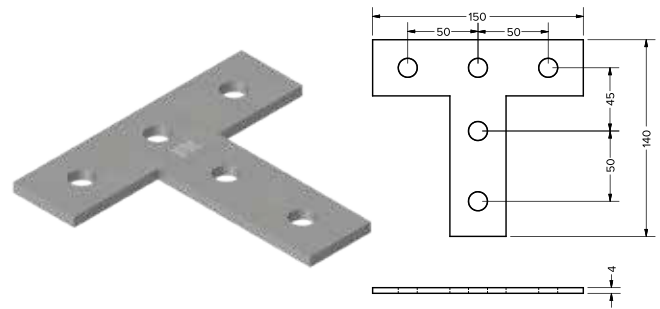
Features & Benefits

- Ensuring reliable connection of flat and spatial fastening systems
- Creation of rigid structures without welding
- High load bearing capacity owing to special material properties and design.

FXR Flat Connector L



FXR Flat Connector T



Select Variant

Article No.		Product Description	FXR Mounting Rail	t (mm)	Pack Size (Nos)
Galvanized (vz)	HDG (fvz)				
637305	637306	FXR Flat Connector - L	41 21 - 41 124	4	50
637300	637301	FXR Flat Connector - T	41 21 - 41 124	4	50

*Available on request