

Brackets

Supporting bracket for FXR mounting Rails

Material specifications	
Material	S235 JR or equivalent steel
Coatings	Galvanized, Hot-Dip Galvanized (HDG), Powder Coating*, Zinc Magnesium*

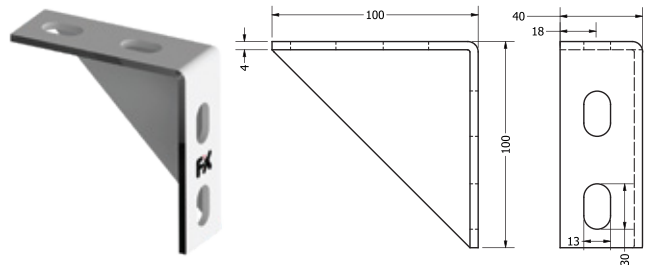
Applications

- Building frame structures using FXR Mounting Rails
- Structural connection of FXR mounting rails with any supporting material

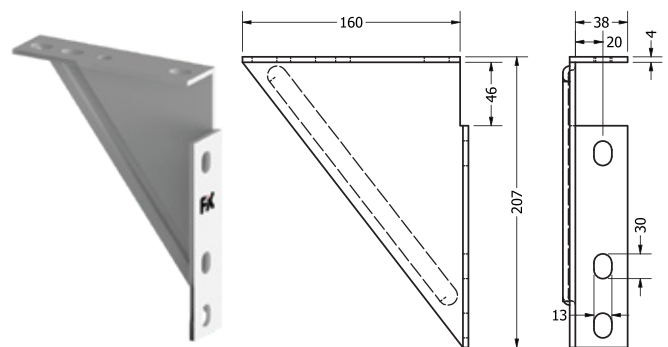
Features & Benefits

- Easy to install with less components
- Strengthening of FXR Mounting Rail connections
- For increased strength requirements, it is possible to bolt angle brackets together.

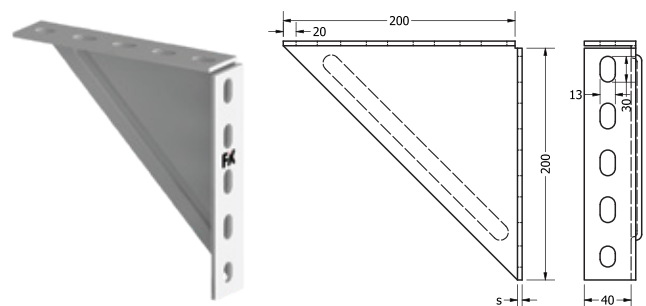
FXR Angle Bracket 100 X 100



FXR Angle Bracket 207 X 165



FXR Angle Bracket 200 X 200



Select Variant

Article No.		Product Description	Size (mm)	Pack Size (Nos)
Galvanized (vz)	HDG (fvz)			
637130	637131	FXR Angle Bracket 100 x 100 x 4	100 X 100	10
637140	637141	FXR Angle Bracket 207 x 165 x 4	207 X 165	10
637150	637151	FXR Angle Bracket 200 x 200 x 4	200 X 200	10
637170	637171	FXR Angle Bracket 200 x 200 x 6	200 X 200	5

*Available on request