

Connectors

Variable supporting flange for FXC Mounting Channels

Material specifications	
Material	Base Plate: S235 JR or equivalent steel Flange Profile: DD11 or equivalent steel
Coatings	Galvanized, Hot-Dip Galvanized (HDG), Powder Coating*, Zinc Magnesium*

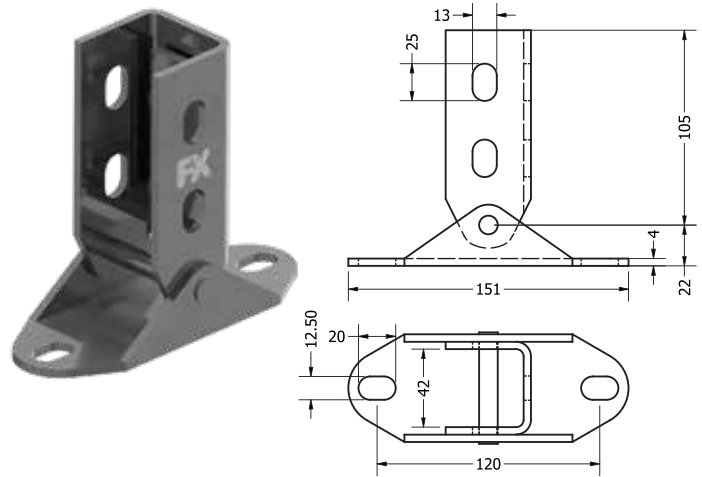
Applications

- Ideal for bracing installation for FXC Mounting Channel structures and seismic support installations
- Structural connection of FXC Mounting Channels with any supporting material
- Suitable for inclined roof/ceilings in PEB and RCC structures

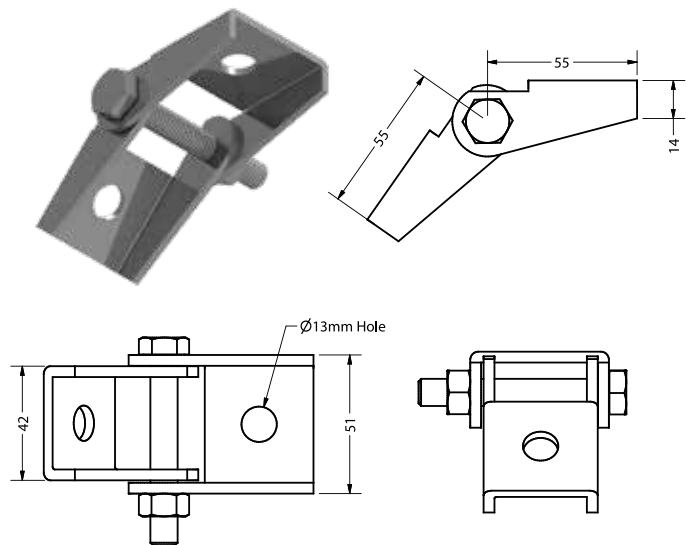
Features & Benefits

- Increased flexibility during installation
- Ease of installation with less components
- Pre-assembled for rapid installation.

FXC Variable Saddle Flange (2+2)



FXC Variable Saddle Flange (1+1)



Select Variant

Article No.		Product Description	Pack Size (Nos)
Galvanized (vz)	HDG (fvz)		
337810	337811	FXC Variable Saddle Flange (2+2) - 38I24, 38I40, 40I60	10
337820	337821	FXC Variable Saddle Flange (1+1) - 38I24, 38I40, 40I60	20

*Available on request