

Supporting flange for FXC Mounting Channels

Material specifications	
Material	<b>Base Plate:</b> S235 JR or equivalent steel <b>Flange Profile:</b> DD11 or equivalent steel
Coatings	Galvanized, Hot-Dip Galvanized (HDG), Powder Coating*, Zinc Magnesium*

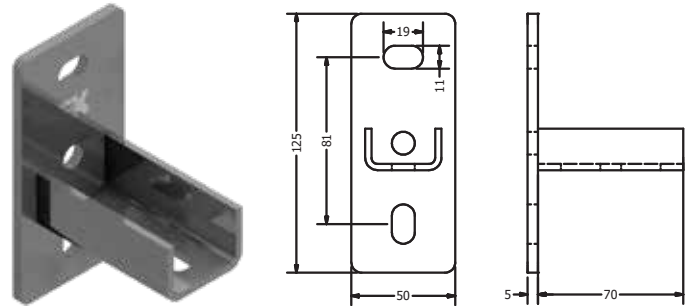
### Applications

- Structural connection of FXC Mounting Channels with any supporting material
- Allows for individual creation of cantilever arms

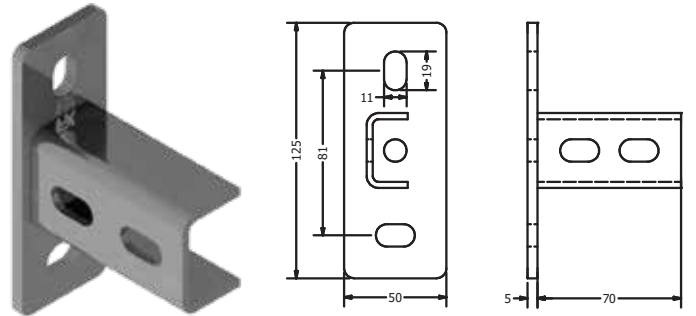
### Features & Benefits

- Provides higher torsional and bending rigidity for FXC Mounting Channels
- Simple installation by inserting the FXC mounting channel in the saddle
- Allows lateral and vertical adjustment of FXC Mounting Channel with reliable fastening
- High load bearing capacity owing to special material properties and design.

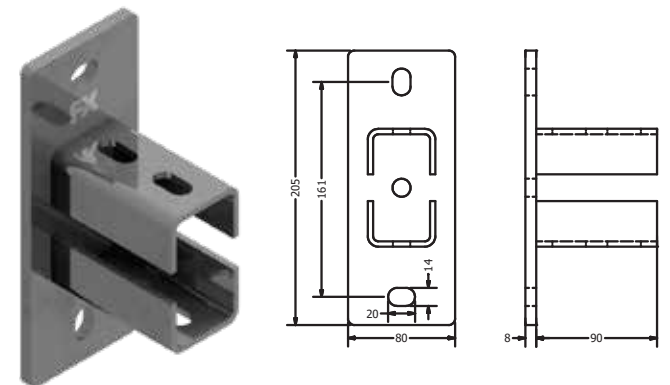
### FXC Saddle Flange - Lengthwise



### FXC Saddle Flange - Crosswise



### FXC Saddle Flange - Lengthwise Heavy



### Select Variant

Article No.		Product Description	Orientation	Pack Size (Nos)
Galvanized (vz)	HDG (fvz)			
337000	337001	FXC Saddle Flange - Lengthwise - 27   18, 28   30	Lengthwise	20
337010	337011	FXC Saddle Flange - Lengthwise - 38   24-40   80	Lengthwise	20
337020	337021	FXC Saddle Flange - Crosswise - 27   18, 28   30	Crosswise	20
337030	337031	FXC Saddle Flange - Crosswise - 38   24-40   80	Crosswise	20
337040	337041	FXC Saddle Flange - Lengthwise 38   24-40   80	Lengthwise	5
337050	337051	FXC Saddle Flange - Lengthwise Heavy - 40   120	Lengthwise	1

\*Available on request