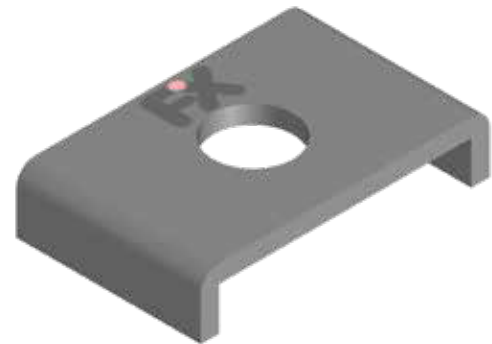


Retaining Clamp for FXC Mounting Channels

Material specifications	
Material	DD11 or equivalent steel
Coatings	Galvanized, Hot-Dip Galvanized (HDG), Powder Coating*, Zinc Magnesium*

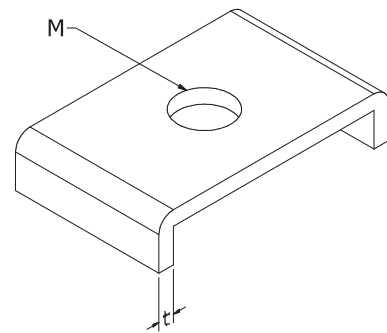


Applications

- Fastening metric threaded parts to FXC Mounting Channels
- Ideal for FXC mounting channel assembly for cable tray and piping installations.

Features & Benefits

- Enables safe load transfer to FXC Mounting Channels
- U shaped design prevents expansion of the FXC Mounting Channels profiles
- Heavy-duty version available for transferring large forces



Select Variant

Article No.		Product Description	For Thread	t (mm)	Pack Size (Nos)
Galvanized (vz)	HDG (fvz)				
337506	337507	FXC Retaining Clamp M8 - 27 18, 28 30	M8	2	100
337512	337513	FXC Retaining Clamp M10 - 27 18, 28 30	M10	2	100
337530	337531	FXC Retaining Clamp M8 - 38 24, 38 40, 38 48, 38 80	M8	3	100
337536	337537	FXC Retaining Clamp M10 - 38 24, 38 40, 38 48, 38 80	M10	3	100
337542	337543	FXC Retaining Clamp M12 - 38 24, 38 40, 38 48, 38 80	M12	3	100
337548	337549	FXC Retaining Clamp M16 - 38 24, 38 40, 38 48, 38 80	M16	3	25
337554	337555	FXC Retaining Clamp M8 - 40 60, 40 80, 40 120	M8	3	100
337560	337561	FXC Retaining Clamp M10 - 40 60, 40 80, 40 120	M10	3	100
337566	337567	FXC Retaining Clamp M12 - 40 60, 40 80, 40 120	M12	3	100
337572	337573	FXC Retaining Clamp M16 - 40 60, 40 80, 40 120	M16	3	25

*Available on request