

Connectors

Connection element for 90° connections of FXC Mounting Channels

Material specifications

Material	S235 JR or equivalent steel
Coatings	Galvanized, Hot-Dip Galvanized (HDG), Powder Coating*, Zinc Magnesium*

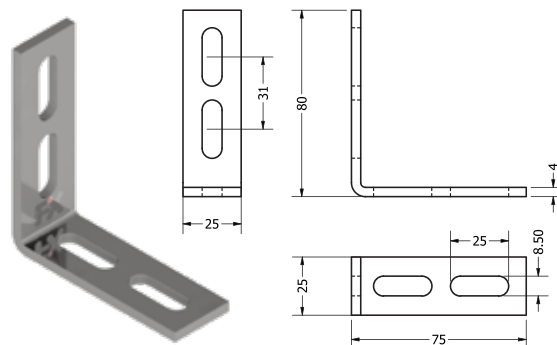
Applications

- Building frame structures using FXC Mounting Channels
- Structural connection of FXC Mounting Channels
- Connecting FXC Mounting Channels at right angles

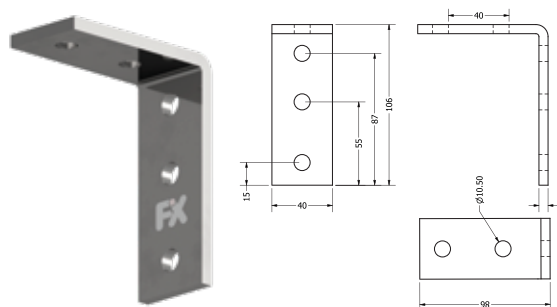
Features & Benefits

- Quick and efficient connections of multiple support structures
- Creation of rigid structures without welding
- High load bearing capacity owing to special material properties and design

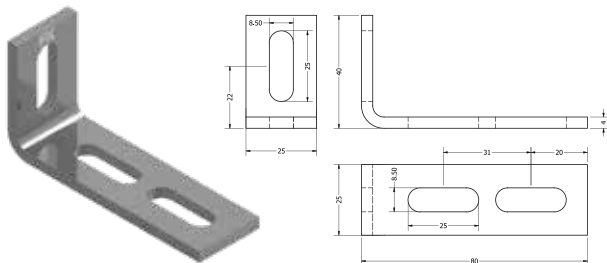
FXC Mounting Angle 90° (2+2) - 27|18, 28|30



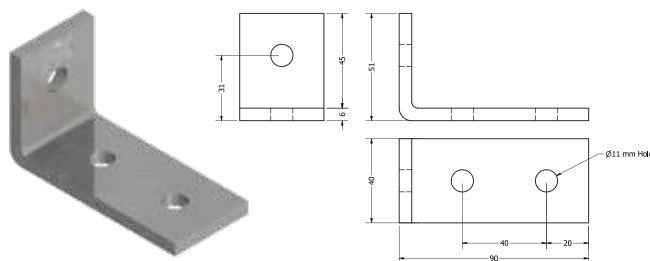
FXC Mounting Angle 90° (2+2) - 38|24, 38|40, 40|60



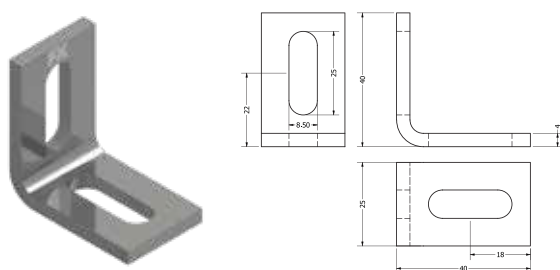
FXC Mounting Angle 90° (2+1) - 27|18, 28|30



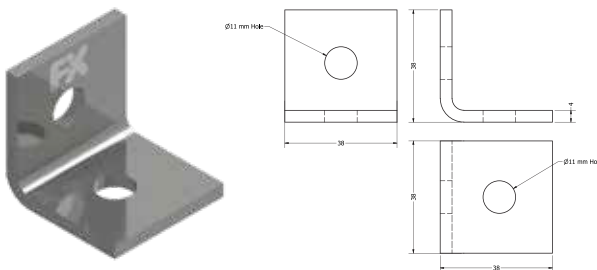
FXC Mounting Angle 90° (2+1) - 38|24, 38|40, 40|60



FXC Mounting Angle 90° (1+1) - 27|18, 28|30



FXC Mounting Angle 90° (1+1) - 38|24, 38|40, 40|60



Select Variant

Article No.		Product Description	Angle	Width (mm)	Pack Size (Nos)
Galvanized (vz)	HDG (fvz)				
337200	337201	FXC Mounting Angle 90° (2+2) - 27 18, 28 30	90°	25	50
337100	337101	FXC Mounting Angle 90° (2+2) - 38 24, 38 40 60	90°	40	25
337205	337206	FXC Mounting Angle 90° (2+1) - 27 18, 28 30	90°	25	50
337105	337106	FXC Mounting Angle 90° (2+1) - 38 24, 38 40, 40 60	90°	40	30
337210	337211	FXC Mounting Angle 90° (1+1) - 27 18, 28 30	90°	25	50
337110	337111	FXC Mounting Angle 90° (1+1) - 38 24, 38 40, 40 60	90°	38	50

*Available on request