

FXC Mounting Angle 90 (Internal)



Connectors

Connection element for 90° internal connections of FXC Mounting Channels

Material specifications

Material	S235 JR or equivalent steel
Coatings	Galvanized, Hot-Dip Galvanized (HDG), Powder Coating*, Zinc Magnesium*

Applications

- Building frame structures using FXC Mounting Channels
- Structural connection of FXC Mounting Channels
- Suitable for cable tray and ducting
- Connecting FXC Mounting Channels internally at right angles

Features & Benefits

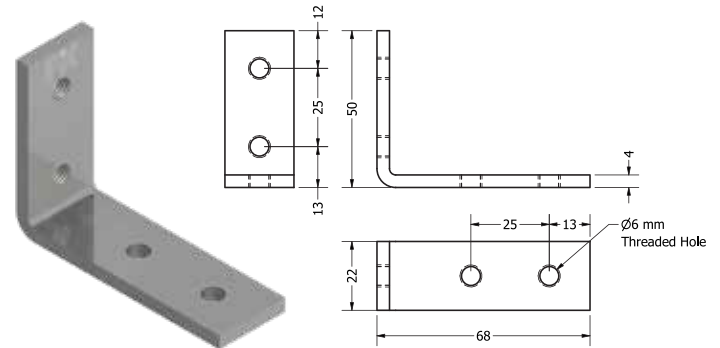
- Cost saving due to lower usage of FXC Mounting Channels
- Quick and efficient connections of multiple support structures
- Creation of rigid structures without welding
- High load bearing capacity owing to special material properties and design.

Select Variant

Article No.		Product Description	Angle	Width (mm)	Pack Size (Nos)
Galvanized (vz)	HDG (fvz)				
337215	337216	FXC Mounting Angle 90° Internal (2+2) - 27 18, 28 30	90°	22	50
337115	337116	FXC Mounting Angle 90° Internal (2+2) - 38 24, 38 40, 40 60	90°	32	25

*Available on request

FXC Mounting Angle 90 Internal (2+2) - 27|18, 28|30



FXC Mounting Angle 90 Internal (2+2) - 38|24, 38|40, 40|60

