

Connectors

Connection element for 135° connections of FXC Mounting Channels

Material specifications	
Material	S235 JR or equivalent steel
Coatings	Galvanized, Hot-Dip Galvanized (HDG), Powder Coating*, Zinc Magnesium*

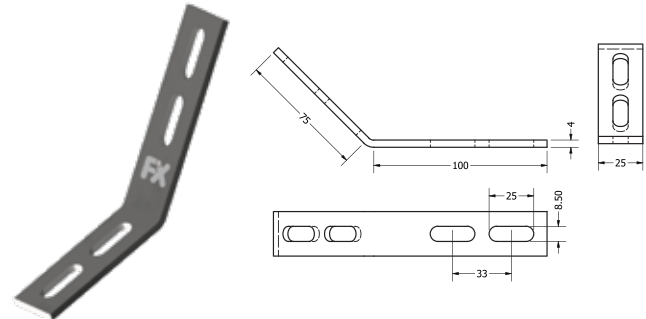
Applications

- Building frame structures using FXC Mounting Channels
- Structural connection of FXC Mounting Channels
- Connecting FXC Mounting Channels at 45°/135° angles

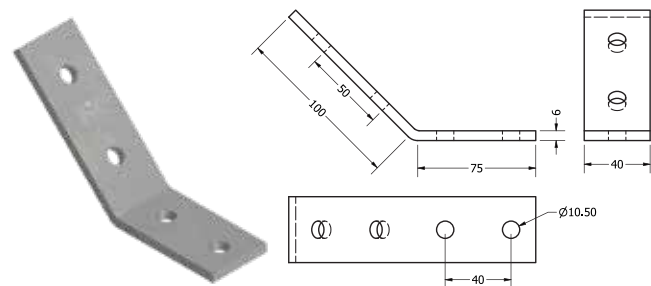
Features & Benefits

- Quick and efficient connections of multiple support structures
- Creation of rigid structures without welding
- High load bearing capacity owing to special material properties and design.

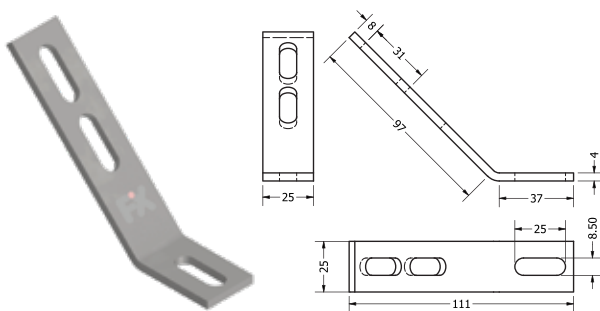
FXC Mounting Angle 135° (2+2) - 27|18, 28|30



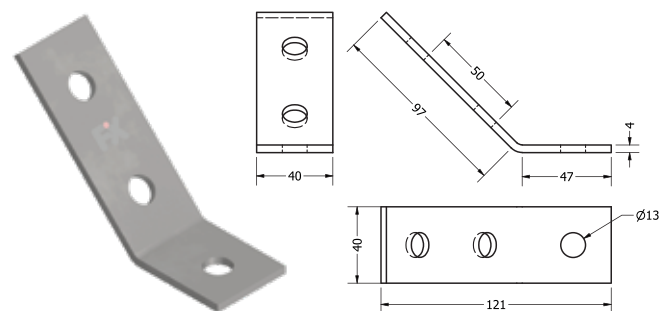
FXC Mounting Angle 135° (2+2) - 38|24, 38|40, 40|60



FXC Mounting Angle 135° (2 + 1) - 27|18, 28|30



FXC Mounting Angle 135° (2 + 1) - 38|24, 38|40, 40|60



Select Variant

Article No.		Product Description	Angle	Width (mm)	Pack Size (Nos)
Galvanized (vz)	HDG (fvz)				
337220	337221	FXC Mounting Angle 135° (2+2) - 27 18, 28 30	135°	25	50
337120	337121	FXC Mounting Angle 135° (2+2) - 38 24, 38 40, 40 60	135°	40	25
337240	337241	FXC Mounting Angle 135° (2+1) - 27 18, 28 30	135°	25	50
337140	337141	FXC Mounting Angle 135° (2+1) - 38 24, 38 40, 40 60	135°	40	25

*Available on request