

FXC Lateral Angle Connector



Connectors

Fixing element for lateral connection of FXC Mounting Channels

Material specifications	
Material	DD11 or equivalent steel
Coatings	Galvanized, Hot-Dip Galvanized (HDG), Powder Coating*, Zinc Magnesium*

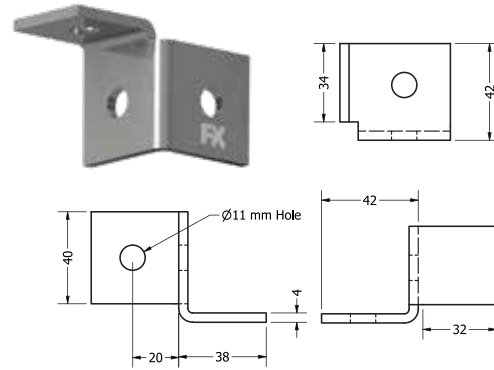
Applications

- Building 2-Dimensional and 3-Dimensional frame structures using FXC Mounting Channels
- Structural connection of FXC Mounting Channels

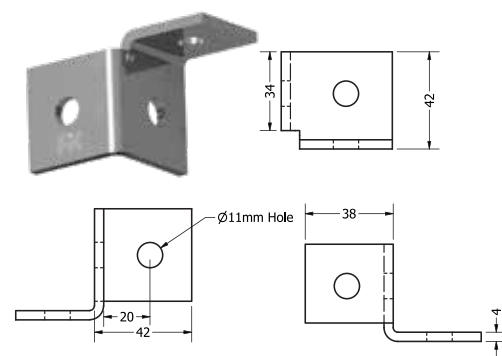
Features & Benefits

- Easy to install with less components
- Quick and efficient connections of multiple support structures
- Creation of rigid structures without welding
- High load bearing capacity owing to special material properties and design.

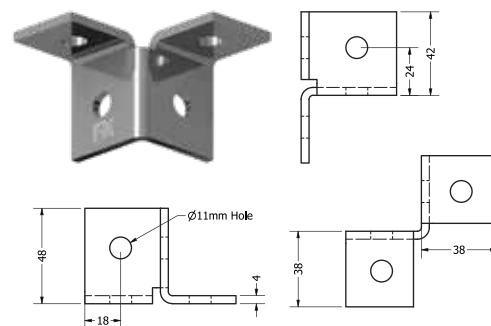
FXC Lateral Angle Connector (1+1) - Left



FXC Lateral Angle Connector (1+1) - Right



FXC Lateral Angle Connector (1+1) - Double sided



Select Variant

Article No.		Product Description	FXC Mounting Channel	Pack Size (Nos)
Galvanized (vz)	HDG (fvz)			
337400	337401	FX Lateral Angle Connector (1+1) - Left	38 24-38 40	25
337405	337406	FX Lateral Angle Connector (1+1) - Right	38 24-38 40	25
337410	337411	FX Lateral Angle Connector (1+1) - Double sided	38 24-38 40	25

*Available on request