

## Brackets

Pre Fabricated Bracket to support cantilever Loads

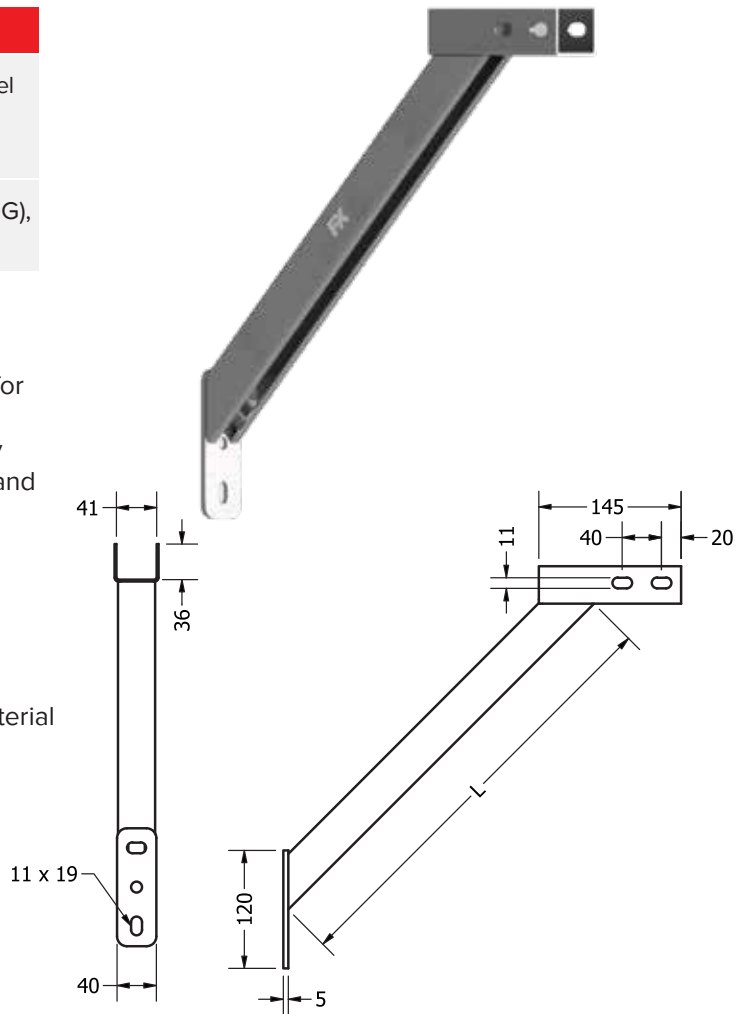
| Material specifications |  |
|-------------------------|--|
| <b>Material</b>         | <b>Base Plate</b> : S235 JR or equivalent steel<br><b>U Profile &amp; Mounting Rail</b> : DD11 or equivalent steel |
| <b>Coatings</b>         | Galvanized, Hot-Dip Galvanized (HDG), Powder Coating*, Zinc Magnesium*   |

### Applications

- Bracing for FXC Mounting Channels structures for carrying higher loads
- Supporting installation of medium to heavy-duty ventilation ducts, plumbing & firefighting pipes and cable trays

### Features & Benefits

- Ease of installation with less components
- Prefabricated for rapid installation
- High load bearing capacity owing to special material properties and design.



### Select Variant

| Article No.     |           | Product Description                           | L (mm) | Max. Recommended Load (N) |                 | Pack Size (Nos) |
|-----------------|-----------|---|--------|---------------------------|-----------------|-----------------|
| Galvanized (vz) | HDG (fvz) |   |        | Mounted on Channel        | Mounted on Wall |                 |
| 332000          | 332001    | FXC Bracket Support, 440 mm, 38   24-40   120 | 440    | 2500                      | 6000            | 1               |
| 332010          | 332011    | FXC Bracket Support, 900 mm, 38   24-40   120 | 900    | 2000                      | 3000            | 1               |

\*Available on request