

## Mounting Plates

Pre Fabricated mounting plate for installation of threaded rods

Material specifications	
<b>Material</b>	DD11 or equivalent steel
<b>Properties</b>	Galvanized, Hot-Dip Galvanized*, Zinc Magnesium*

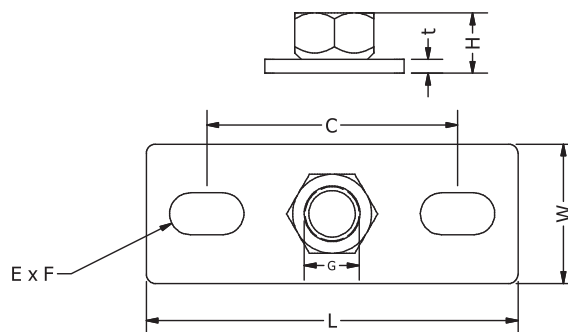


### Applications

- Secured mounting of threaded rods

### Features & Benefits

- Quick and easy to install
- Secure installation of threaded rods is ensured by an all-around welded hexagonal nut.



### Select Variant

Article No.	Product Description	L x W x H (mm)	G	H (mm)	E x F (mm)	C (mm)	Max. Recommended Load (N)
680000	FX Base plate TR, 80 x 30 x 3 mm, M8	80x30x3	M8	15	10.5 x 12	52	2200
680010	FX Base plate TR, 80 x 30 x 3 mm, M10	80x30x3	M10	16	10.5 x 12	52	2200
680030	FX Base plate TR, 80 x 30 x 3 mm, M12	80x30x3	M12	18	10.5 x 12	52	2200
680040	FX Base plate TR, 120 x 40 x 4 mm, M8	120x40x4	M8	16	12.5 x 14	80	3000
680050	FX Base plate TR, 120 x 40 x 4 mm, M10	120x40x4	M10	17	12.5 x 14	80	3000
680070	FX Base plate TR, 120 x 40 x 4 mm, M12	120x40x4	M12	18	12.5 x 14	80	3000
680080	FX Base plate TR, 120 x 40 x 4 mm, M16	120x40x4	M16	22	12.5 x 14	80	3000