

Mounting Plates

Pre Fabricated mounting plate for installation of threaded pipes

Material specifications	
Material	DD11 or equivalent steel
Properties	Galvanized, Hot-Dip Galvanized*, Zinc Magnesium*

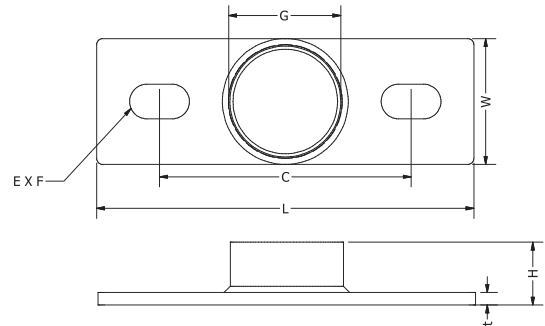


Applications

- Secured mounting of threaded pipes

Features & Benefits

- Quick and easy to install
- Secure installation of threaded pipe is ensured by an all-around welded socket



Select Variant

Article No.	Product Description	L x W x t	G	H (mm)	E x F (mm)	C (mm)	Max. Recommended Load (N)
680090	FX Base plate TP, 120 x 40 x 4 mm, 1/2"	120x40x4	1/2"	19	12.5 x 14	80	5000
680100	FX Base plate TP, 120 x 40 x 4 mm, 3/4"	120x40x4	3/4"	21	12.5 x 14	80	5000
680110	FX Base plate TP, 120 x 40 x 4 mm, 1"	120x40x4	1"	25	12.5 x 14	80	5000